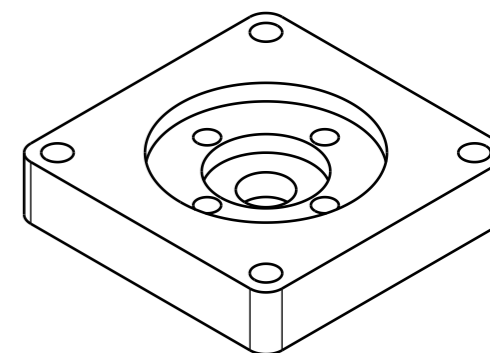
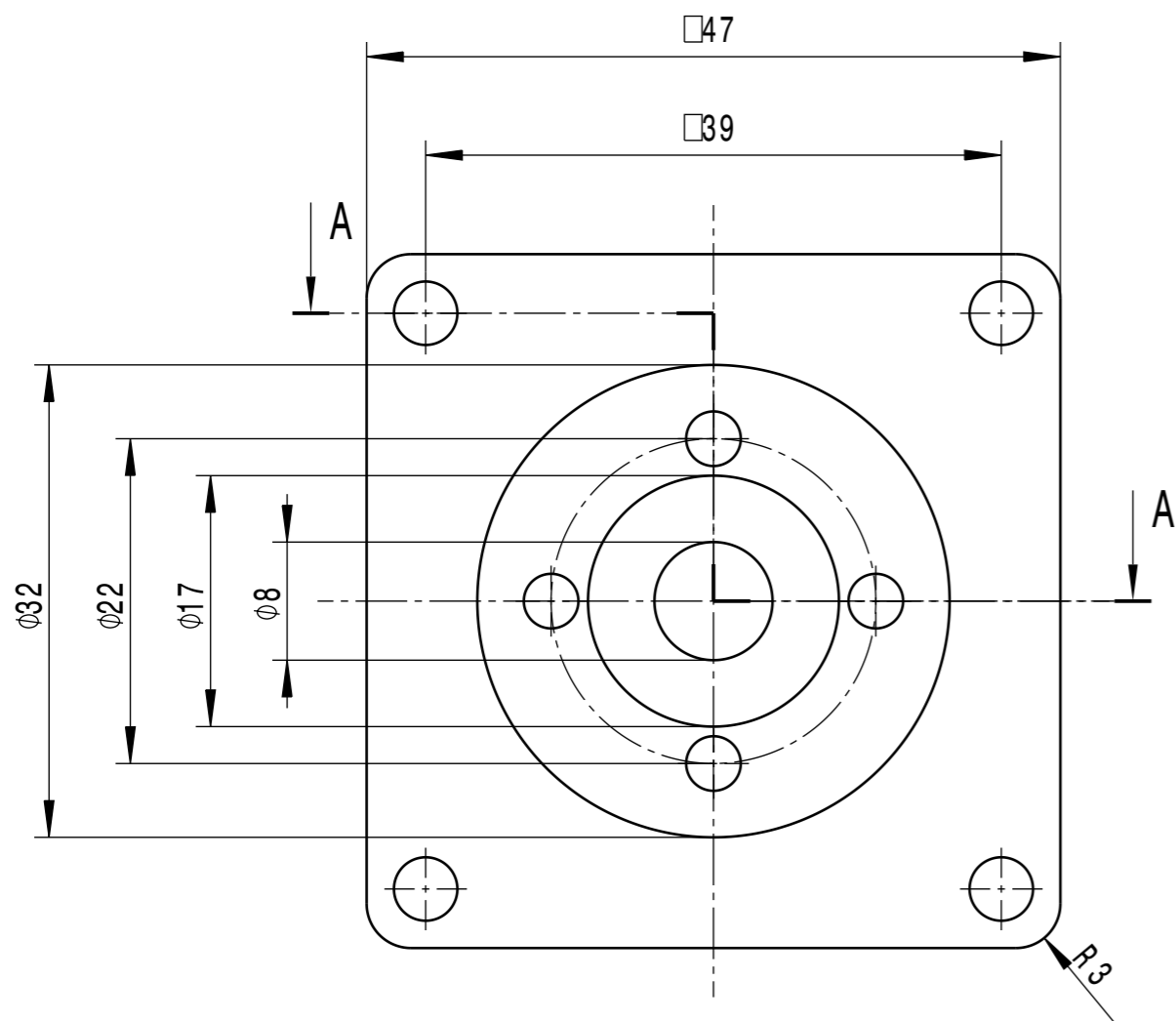
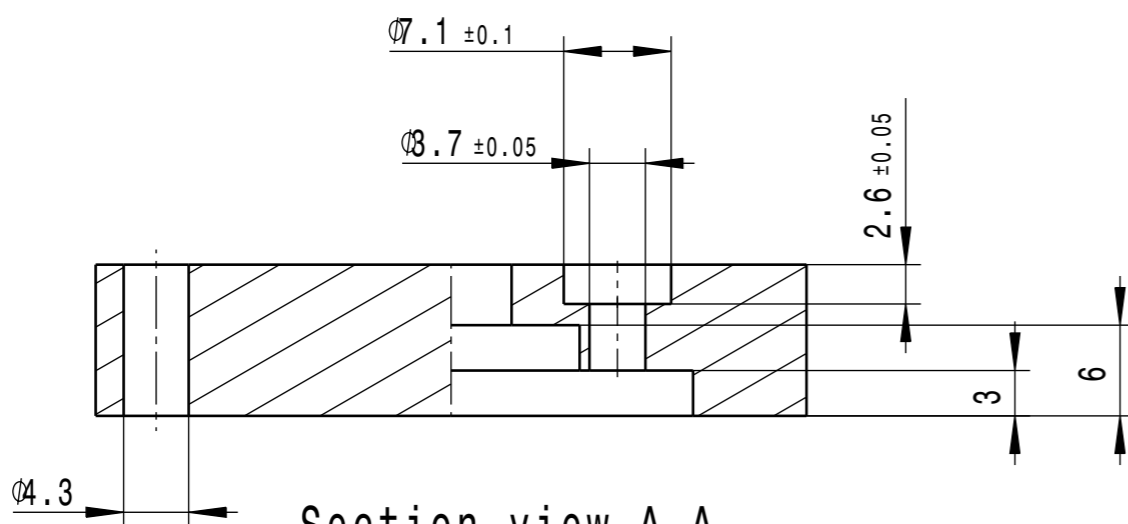
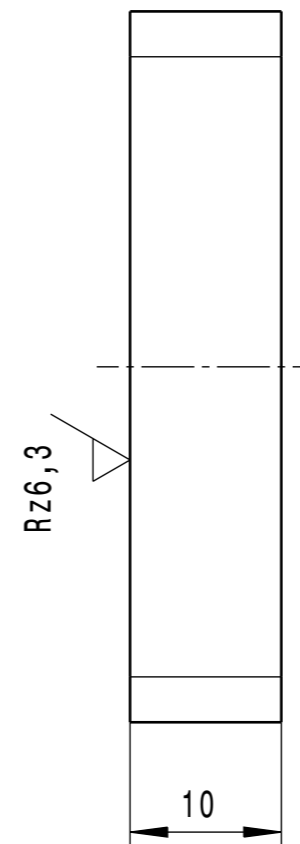


REV	DATE	DESCRIPTION	INIT
1	31.01.2020	created drawing	DM



Isometric view  
Scale: 1:1



Section view A-A  
Scale: 2:1

Masse ohne Toleranzangabe:  
Toleranz without note: DIN ISO 2768-mK  
Oberflaeche:  
Surface roughness: DIN ISO 1302

		Elektrosil GmbH Ruhrstraße 53 22761 Hamburg			
		MATERIAL	DRAWING TITLE		
DRAWN BY	DATE	A1	Adapterplatte		
DM	03.02.2020		Adapter plate		
CHECKED BY	DATE	SIZE	DRAWING NUMBER	REV	
AT	04.02.2020	A3	EMXX.XXXXX.001.A	1	
DESIGNED BY	DATE	SCALE	WEIGHT(g)	SHEET	
DM	31.01.2020	2:1	XXX	1/1	